



Polyurethane Timing Belts ERO Joint®

Fast and easy installation and assembly. With ERO Joint® solutions, you **reduce the intervention time** and production downtime.

ERO Joint® belts are available in all types of cord, **all types of coating and all types of guiding or machining.**

Metal components (screws, threaded or smooth pins) are in stainless steel.

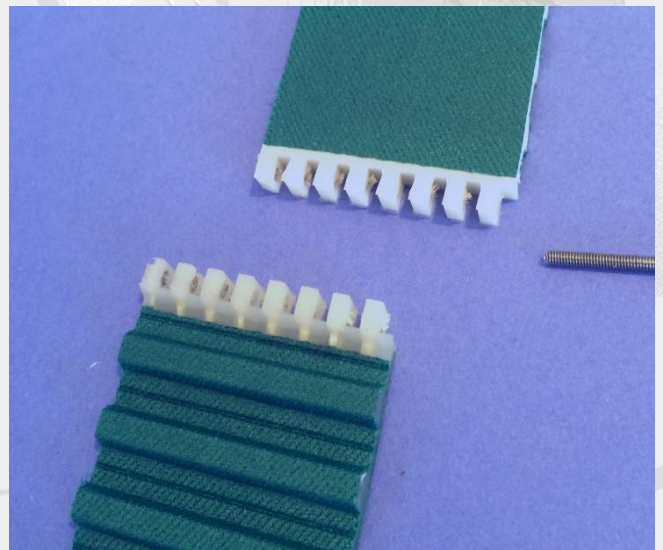
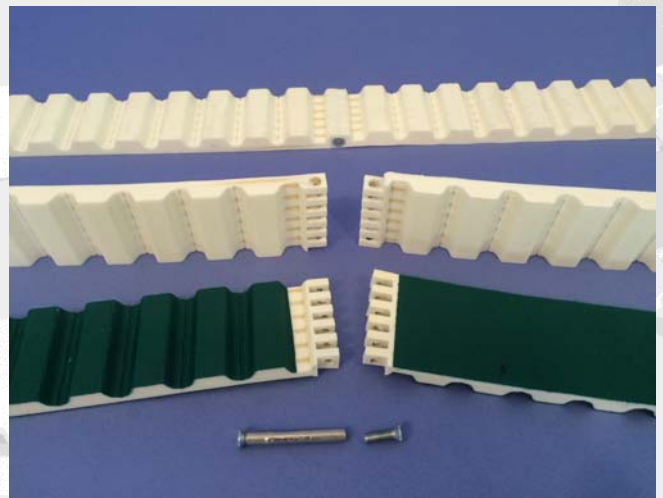
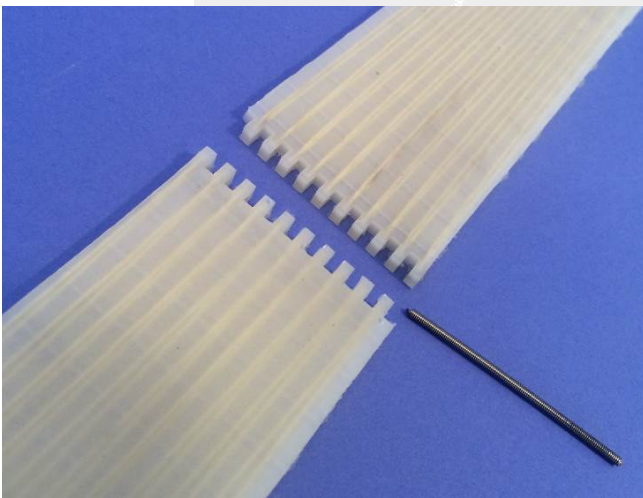
E ERO Joint® HP (Hinge Pin), as strong as a welded joint

(patent pending)

ERO Joint® HP is available for pitches **H, T10, AT10, T20, AT20, 8M, 14M, WT10 and WH** above 10 mm wide.

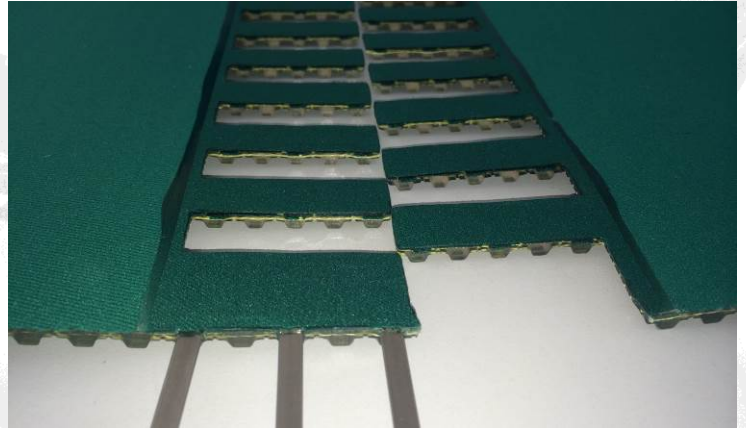
Mechanical strength and lifetime greater than any other mechanical fastening systems.

No minimum diameter.



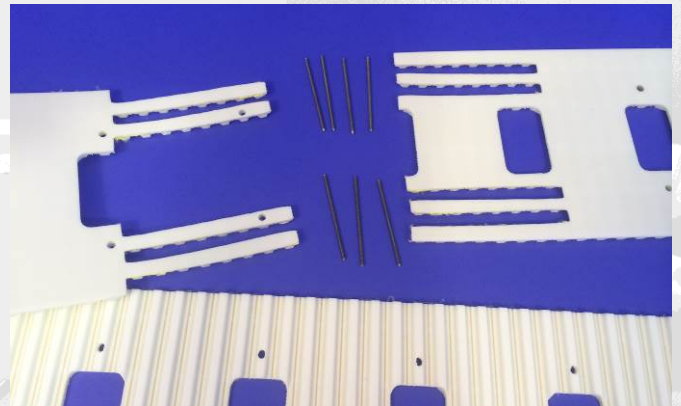
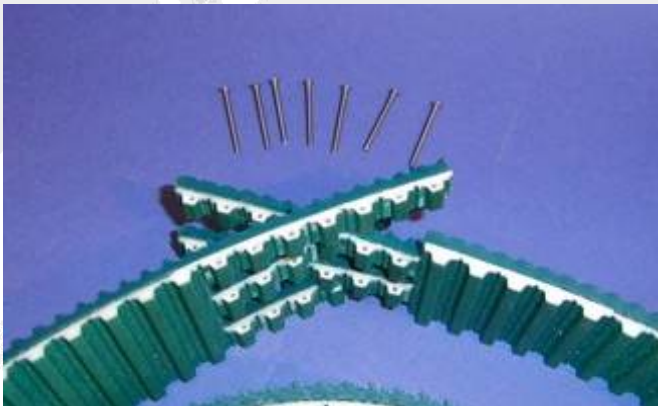
EI ERO Joint® WT (Wide Timing), for large widths (patented)

ERO Joint® WT is available for all pitches and all widths of more than 100 mm.
Minimum diameter = 50mm (also available with plastic pins).



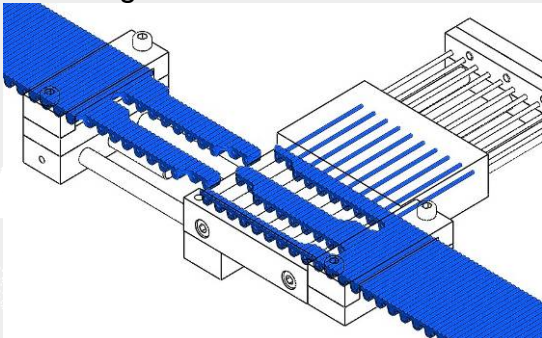
EI ERO Joint®, for low load applications

ERO Joint® is available for pitches T10, AT10, T20, AT20, 8M, and 14M for all widths from 16 mm and until 100 mm. Minimum diameter = 50mm.

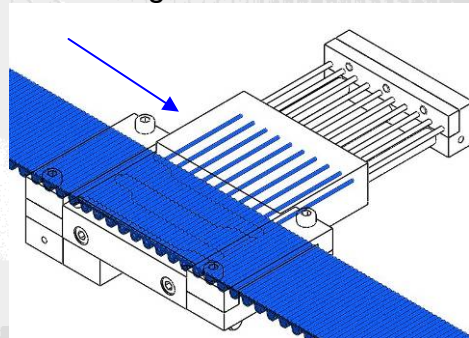


EI ERO Joint® tools, to make tension and assembly easier (patented)

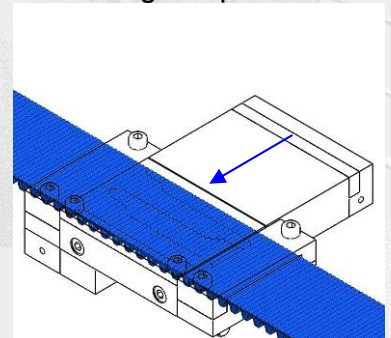
Attaching the belt:



Tensioning the belt :



Threading the pins :



For more information, visit our website: www.ero-joint.com

5, place des Alliés – 68290 MASEVAUX – Tél. 00.33.3.89.38.05.38 – Fax 00.33.3.89.82.49.11
www.ero-joint.com – infos@tanals.com

September 2014